

(19)



JAPANESE PATENT OFFICE

PATENT ABSTRACTS OF JAPAN

(11) Publication number: 04334530 A
(43) Date of publication of application: 20.11.1992

(51) Int. Cl. B01D 63/08
B01D 65/02, B01D 65/08, C02F 1/44

(21) Application number: 03104559
(22) Date of filing: 10.05.1991

(71) Applicant: KUBOTA CORP
(72) Inventor: ISHIDA KOJI
IZUMI SEIJI

(54) FILTER APPARATUS

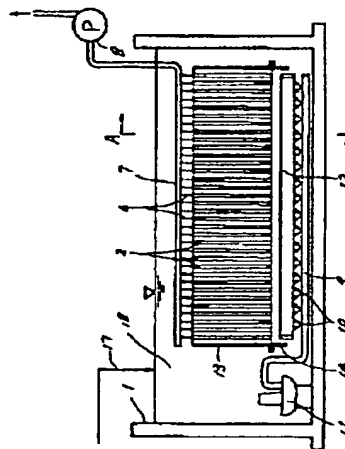
(57) Abstract:

PURPOSE: To provide a filter apparatus constituted so that ascending flow of uniform flux can be formed to a membrane surface by arranging the flux shape of a jet stream by a jet stream guide and a casing and energy consumption can be reduced by avoiding an increase in the output and capacity of a pump by efficiently performing washing and the amount of the jet stream emitted from a jet pipe is reduced by injecting the upward flow even from both sides of the set stream guide by air lift action to further conserve energy consumption.

CONSTITUTION: A jet pipe 9 emitting a jet stream upwardly is provided under a filter module 2 and a jet stream guide 12 forming a channel with uniform width in the lateral direction of the filter module is interposed between the filter module and the jet stream guide 12 and a casing 14 is provided to the lower part of the

filter module so as to cover the jet stream guide and air diffusing pipes are provided on both sides of the jet stream guide in the casing.

COPYRIGHT: (C)1992,JPO&Japio



BEST AVAILABLE COPY